

VertX™

Robust. Daring. Heroic. Choice of the U.S. Military.

Stay Competitive

Improve Patient Care

Innovate Imaging Workflow



With years of inspiration comes the VertX™. Choice of the United States Military, VertX was designed with tough in mind. This portable or stationary CR offers a flexible digital imaging solution for all medical imaging environments. It is also the only CR to withstand several vigorous military environmental testing procedures. It is a true portable CR only at 50lbs. VertX can be mounted on to existing mobile X-ray units such as GE AMX-4*, instantly converting existing analog portable equipment into a digital solution. VertX streamlines your workflow because it is simple to use and fast. Superior image quality and durability of the VertX is a testament to the expertise in medical imaging that iCRco promises and considers its core competency.

iCRco has been a leader in bringing you the most innovative technologies in medical imaging for almost twenty years. iCRco is a complete solution provider for digital imaging needs. At iCRco we thrive as a pioneer with focus on the future. By implementing iCRco solutions in your practice, you will instantly become part of the Innovation.

*GE AMX-4 is a trademark of GE

True Flat Scan Path™ technology — Get 300,000+ artifact free images per plate

Superior image processing software

Highly portable at 50lbs

One moving part

www.iCRcompany.com



VertX™

Robust. Daring. Heroic. Choice of the U.S. Military.

VertX™ Features

- Choice of the U.S. Military
- Passed vigorous military testing
- Easily mounted on a GE AMX-4*
- Mobile or stationary
- Superior image processing software
- Small footprint and simple to use.

*GE AMX-4 is a trademark of GE

XC™ Features

- VertX™ includes XC™ — intuitive touch screen-capable acquisition software
- Smart Scanning: manipulate acquired images while additional cassettes are being scanned
- ICE2 image processing: further manipulate images to your preference, automatically applies proper algorithms for an anatomy
- Smart search, sort, and filter options
- Integration with front office management systems like RIS and EMR
- Full set of annotation and measurement tools
- User-preferred settings and privileges

SEIZE THE FUTURE
OF MEDICAL IMAGING
WITH iCRco

VertX™ Specifications*

Micron Spot Size	Pixels Per mm	Dots Per Inch (DPI)	Line Pairs Per mm
155	5	163	3.1
100	10	254	5

Grayscale resolution	16 bits/pixel source file, 65536 shades of gray
Image access time	35 seconds
Configuration	Portable or smallest stationary CR
Weight	50 lbs
Dimensions	W21" x D8.15" x H35" (W112 x D31 x H59 cm)
Power source	100-240V AC/ 2.5A max; 47-63Hz (universal power supply)
iSupply	24V portable DC power supply available, 270 scans on single charge
Heat generation	Standby 230W, maximum 1610W
Operating conditions	Temperature; 0-40°C/32-105°F, temperature change: 0.5°C/min, humidity: 15%-95% RH, magnetic fields: max 1260 µT (in conformance with EN 61000-4-8: Level 3), 10 A/m

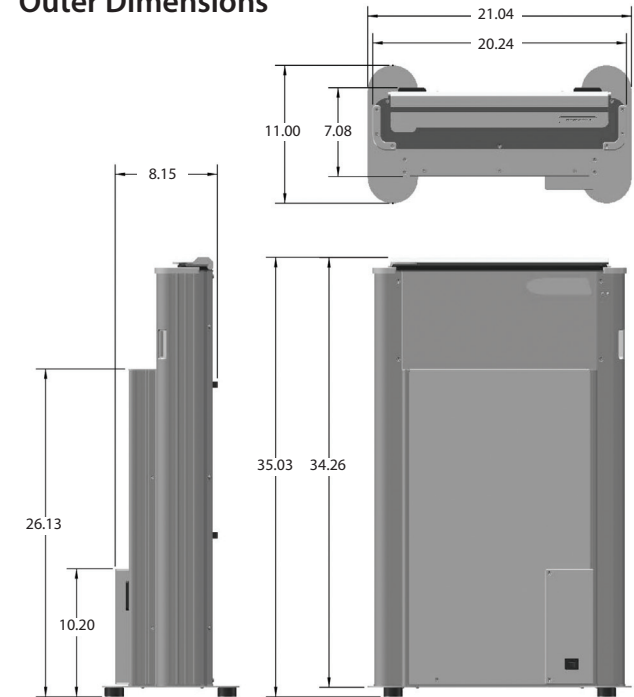
* Specifications are subject to change without notice. Processing and display time dependent on processor speed, RAM disk access time, and video card.



Components are made from 98% recyclable parts • iCRco is an ISO 13485 certified company • U.S. and international patents granted • Additional patents pending • FDA accepted • Medical CE mark CE 0086



Outer Dimensions



© 2011 iCRco. All rights reserved. "VertX" and "XC" are registered trademarks of iCRco. BR111511AUS